

COFFIN PLANS

3/28/16

Drawn By: Jason Becker

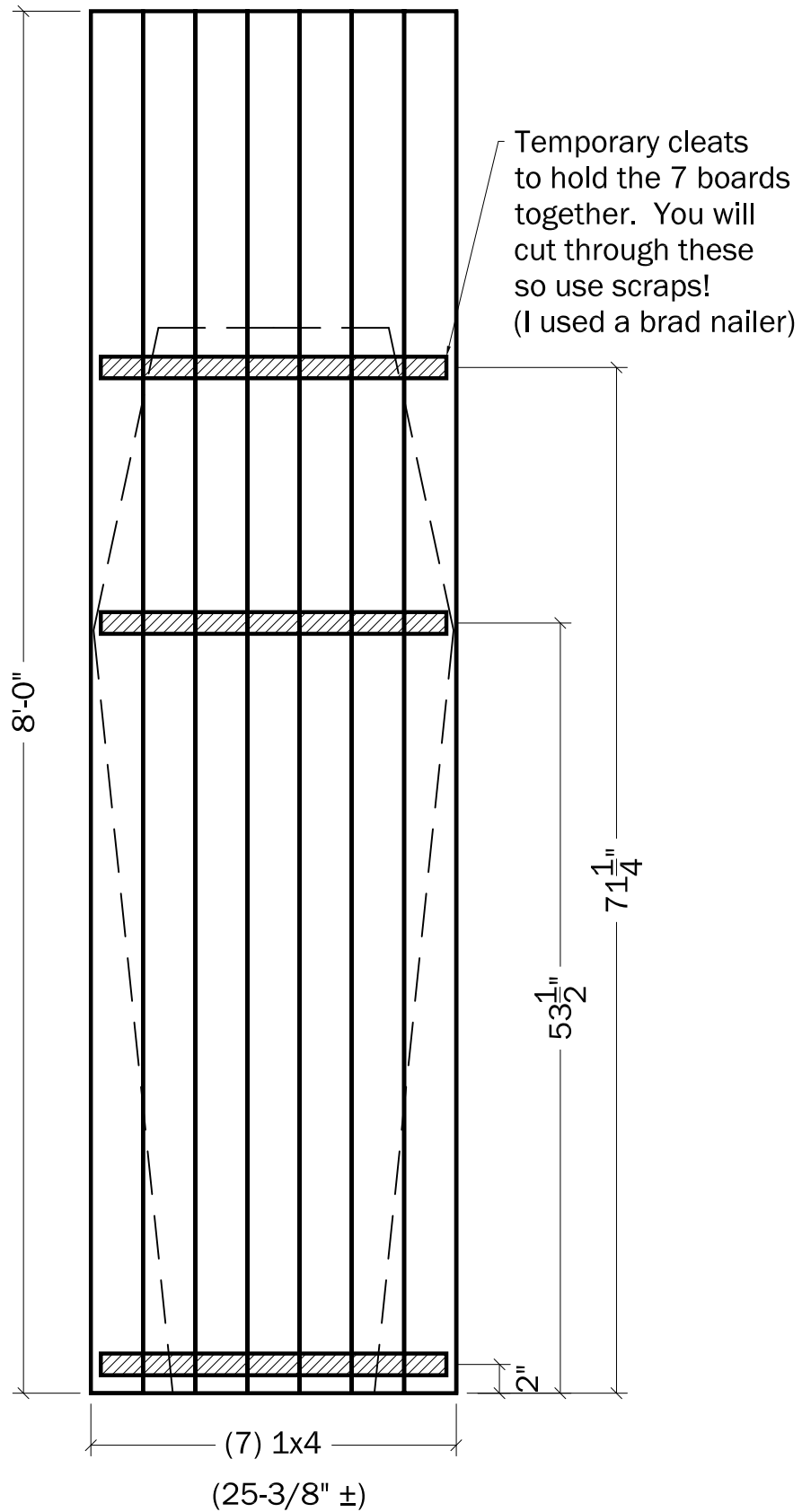


GRAVES
OF THE
GROVES
ROANOKE VA

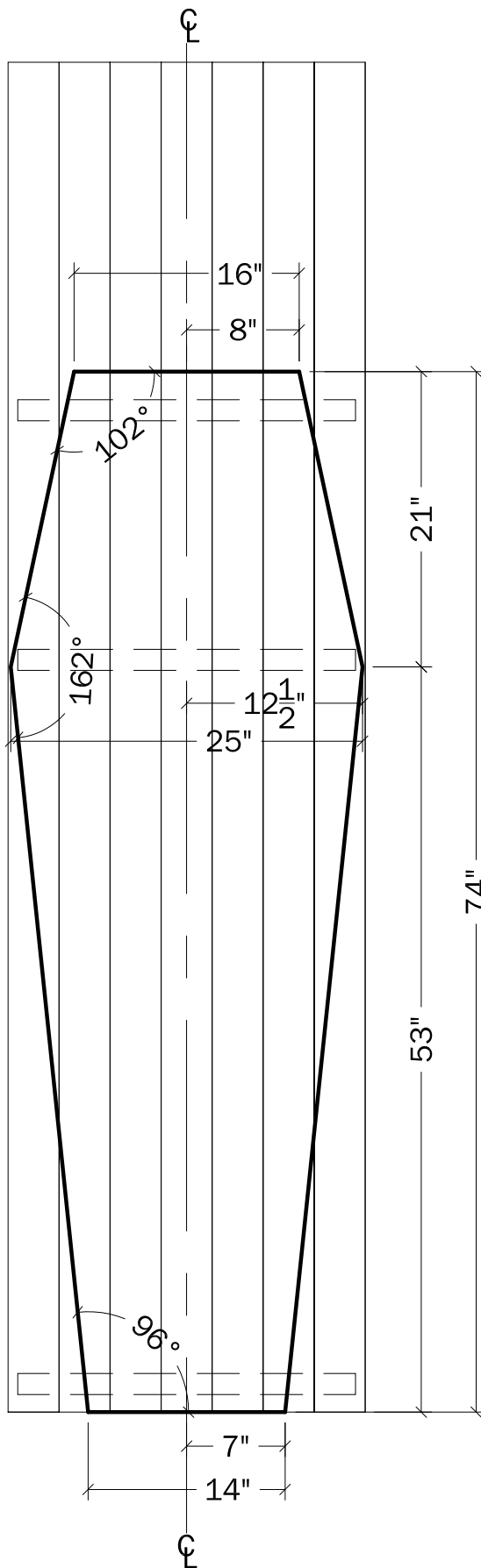
COFFIN PLANS

VISIT WWW.YOUTUBE.COM/GRAVESOFTHEGROVES

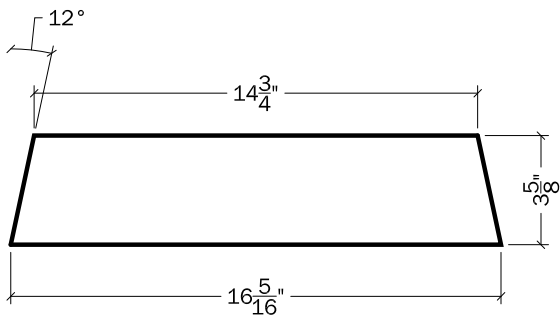
If you are building a coffin with a lid, you will need 21 1 x 4s. If you are not using a lid like the ones pictured then you only need 14



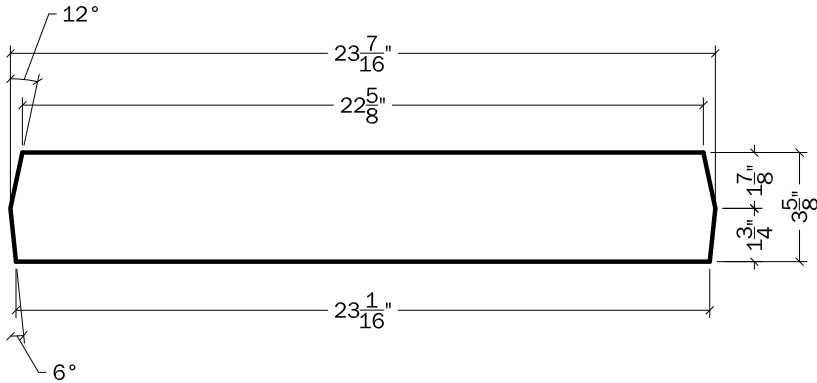
Do this step twice if you are making a lid as well.



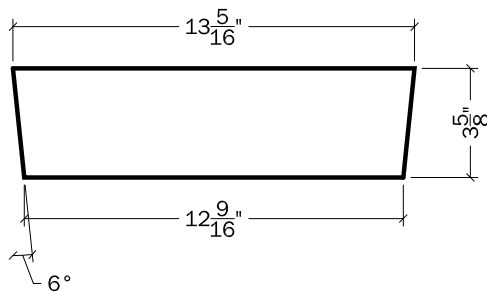
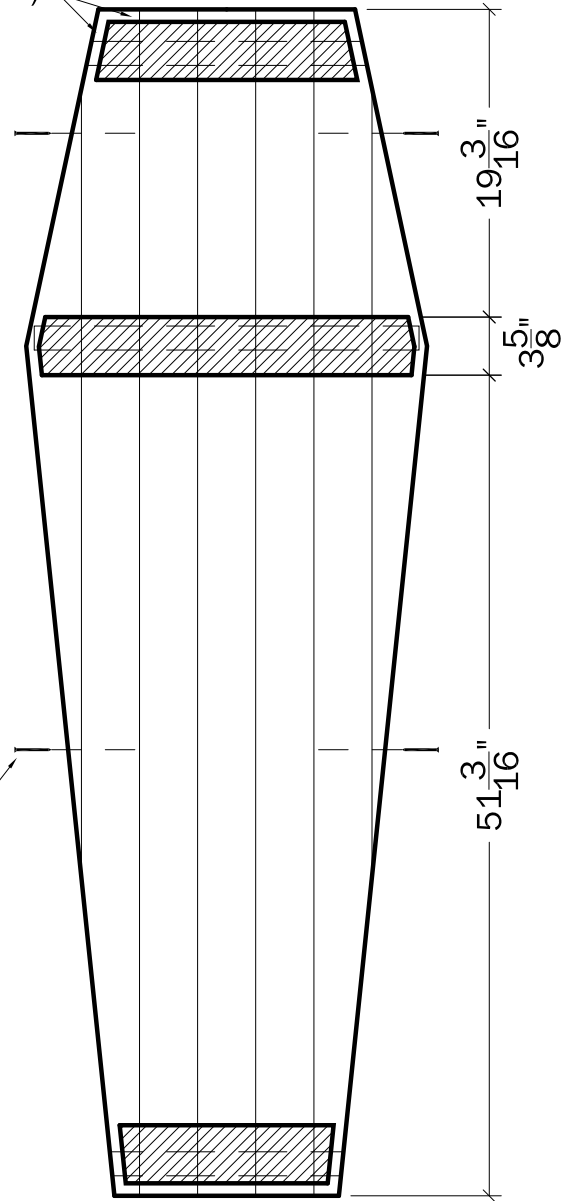
Flip the boards over so the temp cleats are facing down. Layout the coffin and cut out (Cut through the cleats as well)



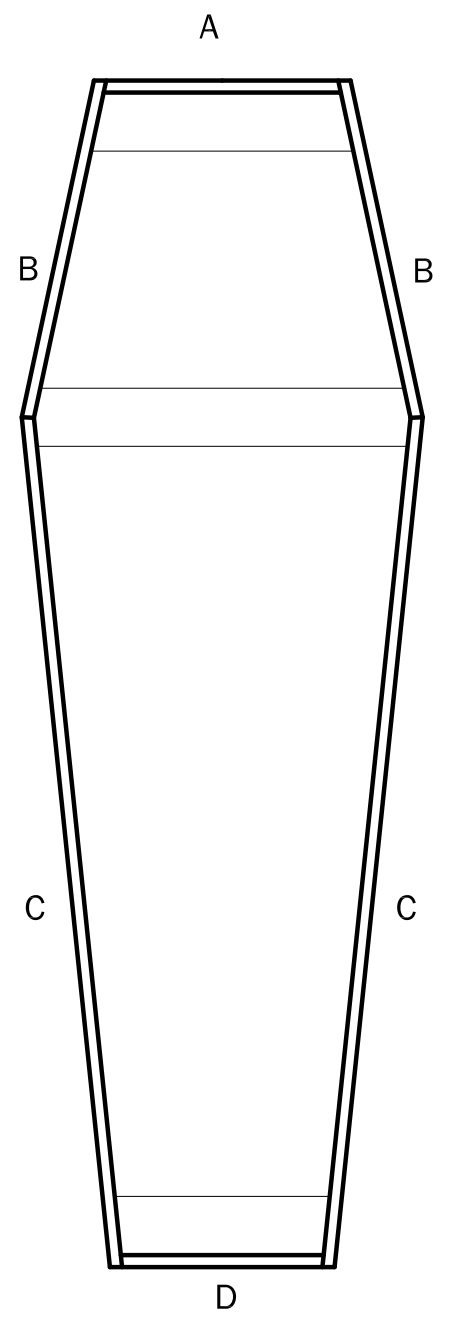
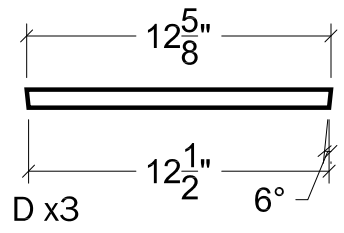
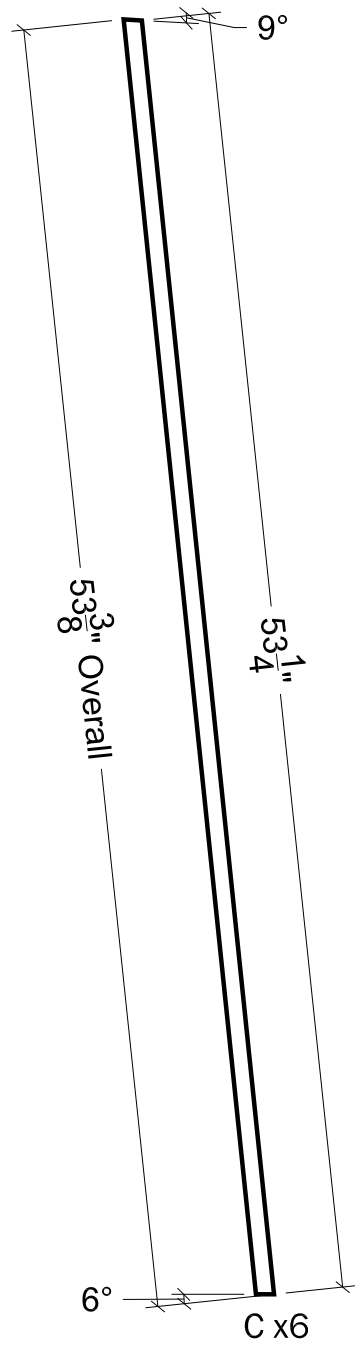
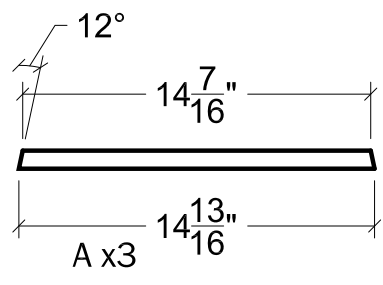
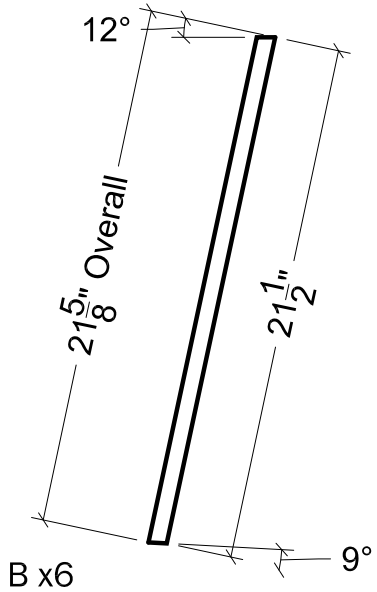
On all permanent cleats, hold off 25/32 all sides (heavy 3/4")



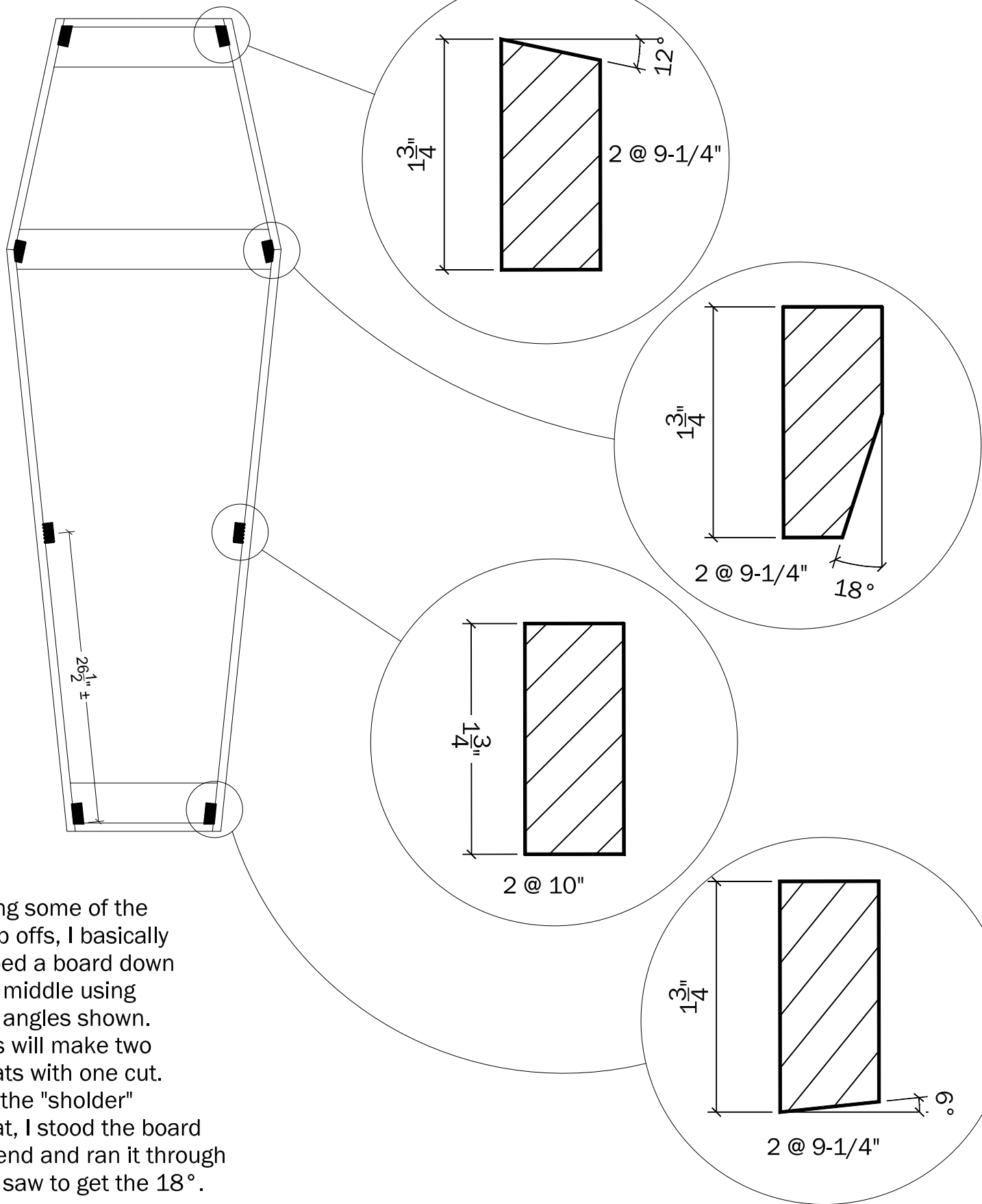
Secure the outside boards at both ends. I used a trim head screw.



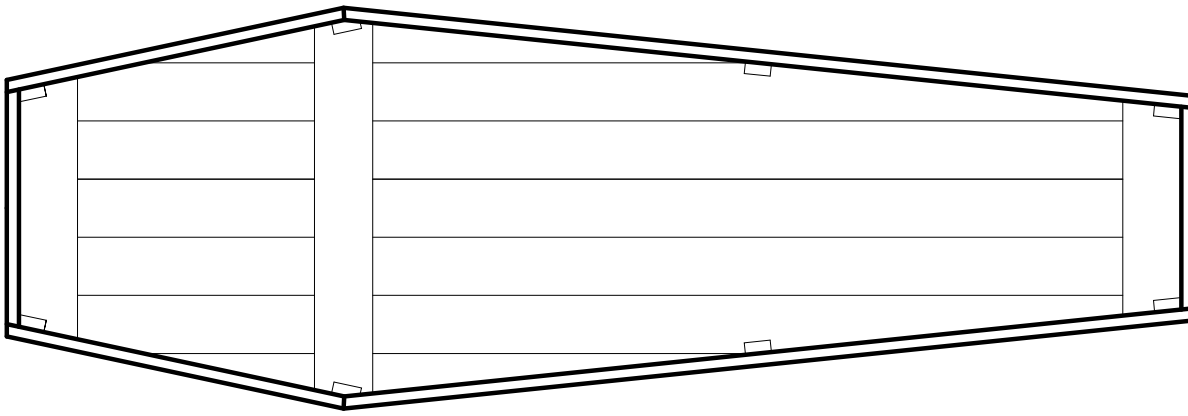
Once the permanent cleats are attached, remove the temporary ones and discard.



I've shown the exact overall dimensions but I would start by cutting one of the angles then laying it on the bottom up against the cleat and marking it. Attach the bottom layer around the perimeter by nailing into the bottom and cleats. I used narrow crown staples.

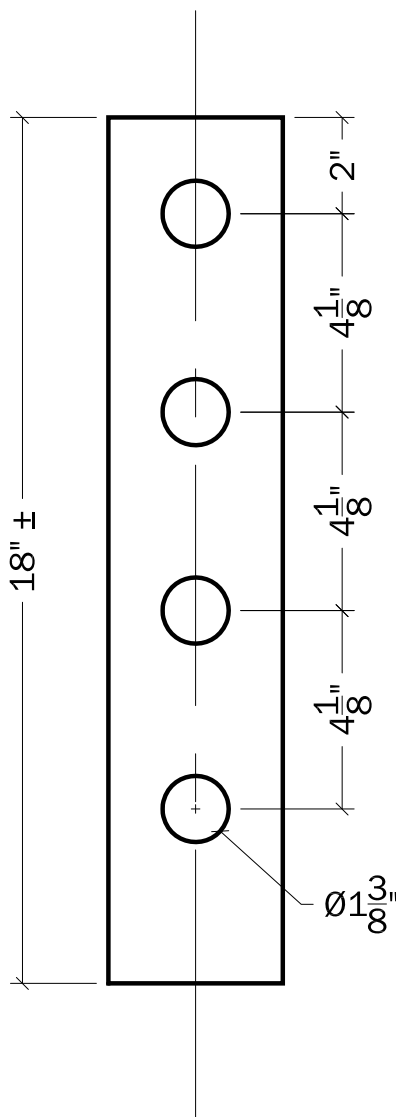


Using some of the drop offs, I basically ripped a board down the middle using the angles shown. This will make two cleats with one cut. For the "sholder" cleat, I stood the board on end and ran it through the saw to get the 18°.

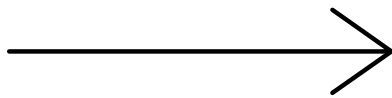


When attaching the vertical cleats, I would shoot one staple in then square it up and down with the bottom. This made running the 2nd and 3rd layer much easier

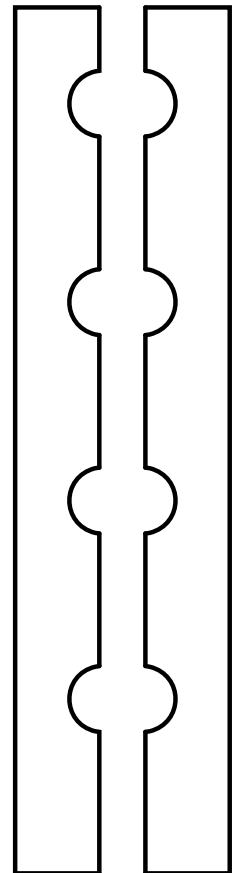
HANDLES...



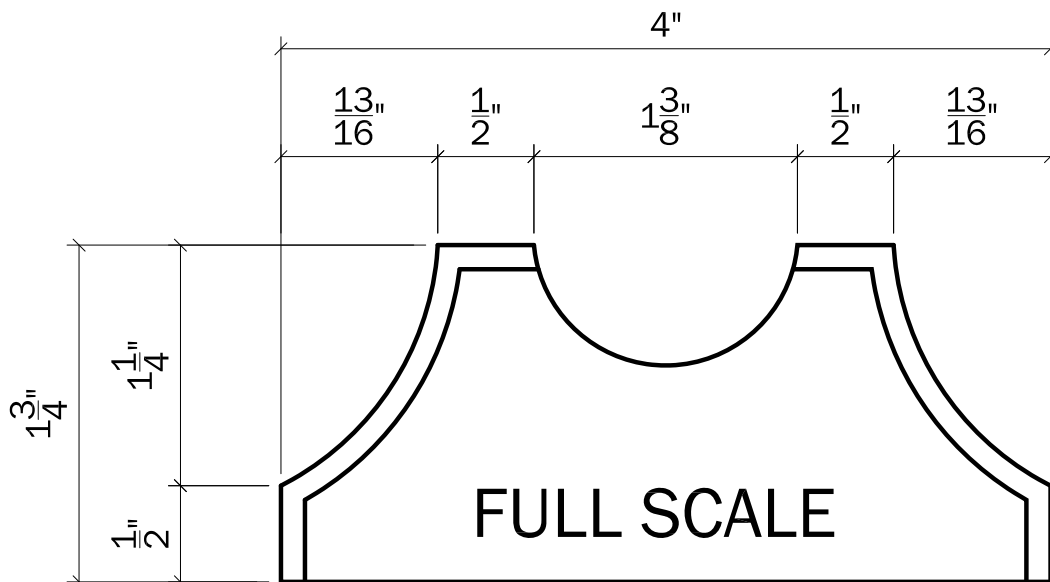
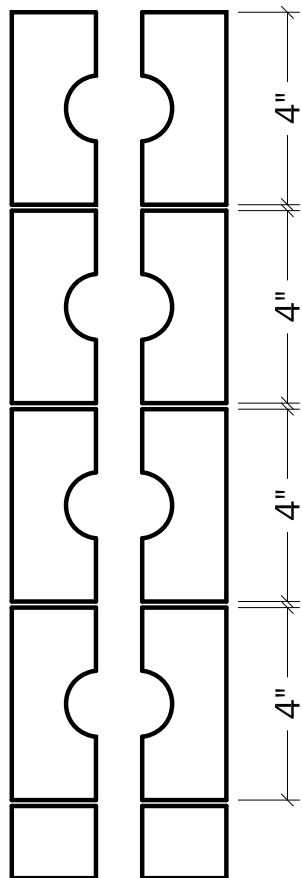
I used a 1-3/8"Ø closet rod dowel from Lowes for the handles.
Using two of the drop offs at least 17" long, drill 1-3/8"Ø holes at these locations in the center of the board



Once the holes are drilled, rip the board down the middle. You need 12 pieces for one coffin. I suggest making a couple extras.

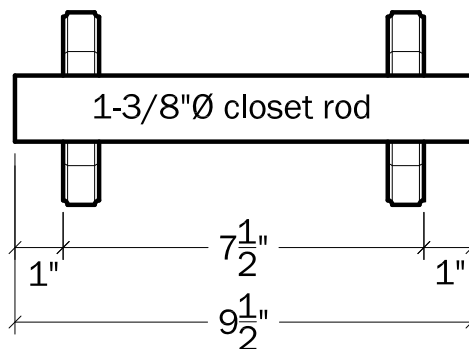
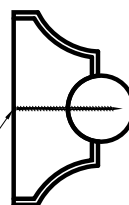


Cut your two halves into 4" pieces. Make sure the half circle is centered in the piece.



From there I cut the curves on both sides then used a small 3/16" cove bit to route the edges.

2" wood screw ran from the back of the bracket into the dowel. PRE-DRILL!



I used (4) 1-5/8" wood screws to secure the handles to the coffin from the inside. PRE-DRILL!!

